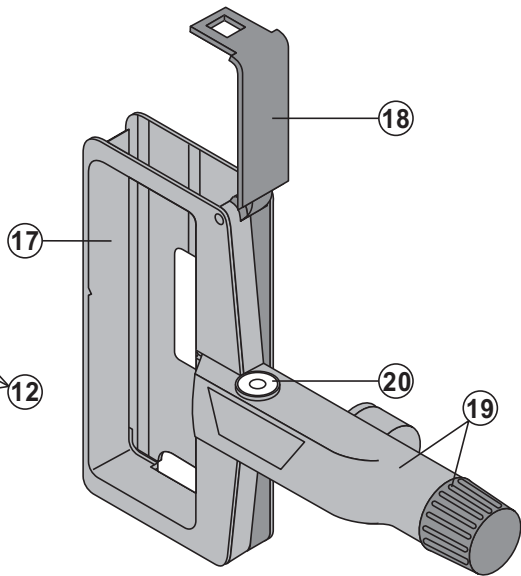
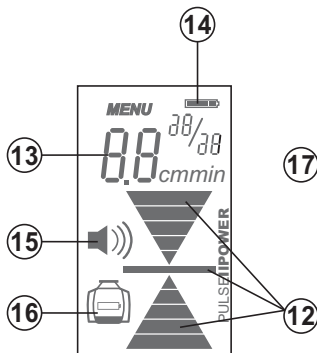
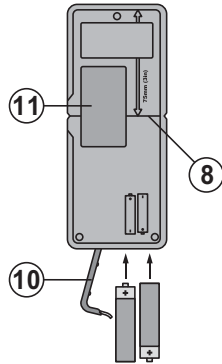
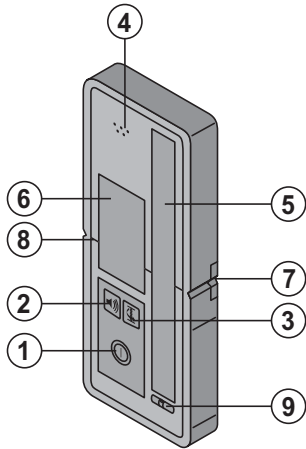


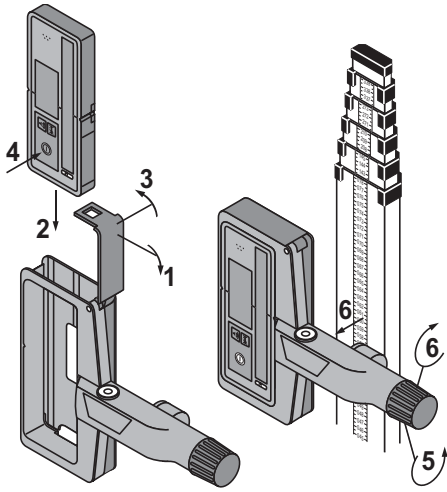
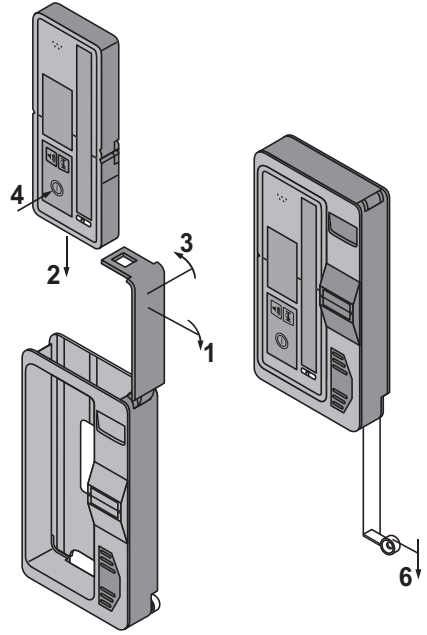
# HILTI

## PRA 30/ PRA 31

Bedienungsanleitung	de
Operating instructions	en
Mode d'emploi	fr
Istruzioni d'uso	it
Manual de instrucciones	es
Manual de instruções	pt
Gebruiksaanwijzing	nl
Brugsanvisning	da
Bruksanvisning	sv
Bruksanvisning	no
Käyttöohje	fi
Οδηγίες χρήσεως	el
Használati utasítás	hu
Instrukcja obsługi	pl
Инструкция по эксплуатации	ru
Návod k obsluze	cs
Návod na obsluhu	sk
Upute za uporabu	hr
Navodila za uporabo	sl
Ръководство за обслужване	bg
Instrucțiuni de utilizare	ro
Kullanma Talimatı	tr
دليل الاستعمال	ar
Lietošanas pamācība	lv
Instrukcija	lt
Kasutusjuhend	et
取扱説明書	ja
사용설명서	ko
操作说明书	cn





**2****3**

# ORIGINAL OPERATING INSTRUCTIONS

## PRA 30 / PRA 31 remote control / laser receiver

en

**It is essential that the operating instructions are read before the tool is operated for the first time.**

**Always keep these operating instructions together with the tool.**

**Ensure that the operating instructions are with the tool when it is given to other persons.**

Contents	Page
1 General information	8
2 Description	9
3 Technical data	9
4 Safety instructions	10
5 Before use	11
6 Operation	11
7 Care and maintenance	12
8 Disposal	12
9 Manufacturer's warranty - tools	13
10 FCC statement (applicable in USA)	13
11 EC declaration of conformity (original)	14

**1** These numbers refer to the corresponding illustrations. The illustrations can be found on the fold-out cover pages. Keep these pages open while studying the operating instructions.

In these operating instructions, the designation "the tool" always refers to the PRA 30 / PRA 31 laser receiver.

### Parts, operating controls and indicators **1**

#### PRA 30 / PRA 31 laser receiver

- 1 On/off button
- 2 Audible signal button
- 3 Units button
- 4 Audible signal aperture
- 5 Receiving area
- 6 Display area, front
- 7 Marking notch
- 8 Reference plane
- 9 Spirit level
- 10 Battery compartment cover
- 11 Display area, rear

#### PRA 30 / PRA 31 laser receiver display

- 12 Display showing the position of the receiver relative to the height of the laser plane
- 13 Exact distance of the receiver from the laser plane
- 14 Battery status indicator
- 15 Volume indicator
- 16 Rotating laser low energy indicator

#### PRA 80 laser receiver holder

- 17 Protective cage
- 18 Catch
- 19 Mounting arm with rotating grip
- 20 Spirit level

## 1 General information

### 1.1 Safety notices and their meaning

#### **DANGER**

Draws attention to imminent danger that will lead to serious bodily injury or fatality.

#### **WARNING**

Draws attention to a potentially dangerous situation that could lead to serious personal injury or fatality.

#### **CAUTION**

Draws attention to a potentially dangerous situation that could lead to slight personal injury or damage to the equipment or other property.

#### **NOTE**

Draws attention to an instruction or other useful information.

### 1.2 Explanation of the pictograms and other information

#### Warning signs



General warning

#### Symbols



Read the operating instructions before use



Return waste material for recycling.

### Location of identification data on the tool

The type designation and serial number can be found on the type identification plate on the tool. Make a note of this data in your operating instructions and always refer to it when making an enquiry to your Hilti representative or service department.

Type: \_\_\_\_\_

Generation: 01 \_\_\_\_\_

Serial no.: \_\_\_\_\_

en

## 2 Description

### 2.1 Use of the product as directed

The Hilti PRA 30 / 31 laser receiver is designed to detect the laser beam from rotating lasers.

Observe the information printed in the operating instructions concerning operation, care and maintenance.

Take the influences of the surrounding area into account. Do not use the tool where there is a risk of fire or explosion.

**Modification of the tool or tampering with its parts is not permissible.**

### 2.2 Features

The tool can either be held by hand or, using the corresponding holder, mounted on a measuring staff, telescopic staff, leveling staff, wooden batten or frame etc.

### 2.3 Indicators

#### NOTE

The display of the PRA 30 / 31 laser receiver uses several symbols to indicate various modes or statuses.

Display showing the position of the receiver relative to the height of the laser plane	The position of the receiver relative to the height of the laser plane is shown by an arrow indicating the direction in which the receiver has to be moved in order to bring it exactly into alignment with the laser.
Battery status indicator	The battery status indicator shows the remaining battery capacity.
Volume level	When no volume level symbol is visible in the display, the volume level is set to zero (off). If 1 column is shown, the volume is set to "quiet". If 2 columns are shown, the volume is set to "normal". If 3 columns are shown, the volume is set to "loud".
PRE 3 battery status indicator	The PRE 3 symbol is shown in the display (only if the PRA 30 / 31 is receiving a signal from the PRE 3) when the PRE 3 battery requires charging.
Units indicator	Shows the exact distance of the receiver from the laser plane in the desired measuring units.

### 2.4 Items supplied

- 1 PRA 30 / PRA 31 laser receiver
- 1 Operating instructions
- 2 Batteries (size AA cells)
- 1 Manufacturer's certificate

## 3 Technical data

Right of technical changes reserved.

Detection range (area diameter)	2...400 m (6 to 1300 ft)
Laser plane indication area	± 0.5 mm (0.02 in)
Audible signal generator	3 volume levels plus mute setting
Liquid crystal display	On both sides
Receiving range	120 mm (5 in)

Center indication from top edge of casing	75 mm (3 in)
Marking notches	On both sides
Automatic power-off	When no beam is detected: 15 min
Dimensions	160 mm (6.5") X 67 mm (2.6") X 27 mm (0.9")
Weight (including batteries)	0.25 kg (0.6 lbs)
Power source	2 AA-size batteries
Battery life (alkaline-manganese)	Temperature +20°C (+68 °F): 50 h
Operating temperature range	-20... +50°C (-4°F to 122°F)
Storage temperature	-25... +60°C (-13 °F to 140 °F)
Protection class	IP 56 in accordance with IEC 529

## 4 Safety instructions

### 4.1 Basic information concerning safety

In addition to the information relevant to safety given in each of the sections of these operating instructions, the following points must be strictly observed at all times.

#### 4.2 General safety rules

- Keep other persons, especially children, away from the area in which the work is being carried out.
- Check the condition of the tool before use. If the tool is found to be damaged, have it repaired at a Hilti service center.
- Do not render safety devices ineffective and do not remove information and warning notices.
- The tool must be checked at a Hilti service center after it has been dropped or subjected to other mechanical stresses.
- If mounting on an adapter, check that the tool is fitted correctly.
- To avoid measurement errors, the receiving area must be kept clean.
- Although the tool is designed for the tough conditions of jobsite use, as with other optical and electronic instruments (e.g. binoculars, spectacles, cameras) it should be treated with care.
- Although the tool is protected to prevent entry of dampness, it should be wiped dry each time before being put away in its transport container.
- To avoid hearing damage, hold the tool as far away as possible from your ear (and other persons' ears).

### 4.2.1 Electrical



- Keep the batteries out of reach of children.
- Do not allow the batteries to overheat and do not expose them to fire. The batteries may explode or release toxic substances.
- Do not charge the batteries.
- Do not solder the batteries into the tool.
- Do not discharge the batteries by short circuiting as this may cause them to overheat and present a risk of personal injury (burns).
- Do not attempt to open the batteries and do not subject them to excessive mechanical stress.

### 4.3 Proper organization of the work area

- Avoid unfavorable body positions when working on ladders or scaffolding. Make sure you work from a safe stance and stay in balance at all times.
- Measurements taken through or from panes of glass or through other objects may be inaccurate.
- Use the tool only within its specified limits.
- Use of the telescopic staff in the vicinity of overhead high voltage cables is not permissible.

### 4.4 Electromagnetic compatibility

Although the tool complies with the strict requirements of the applicable directives, Hilti cannot entirely rule out the possibility of the tool being subject to interference caused by powerful electromagnetic radiation, leading to incorrect operation. Check the accuracy of the tool by taking measurements by other means when working under such conditions or if you are unsure. Likewise, Hilti cannot rule out the possibility of interference with other devices (e.g. aircraft navigation equipment).

## 5 Before use



### 5.1 Inserting the batteries

#### CAUTION

Do not use damaged batteries.

#### DANGER

Do not mix old and new batteries. Do not mix batteries of different makes or types.

#### NOTE

Only batteries recommended by Hilti may be used to power the tool.

en

## 6 Operation



### 6.1 Switching the tool off and on

Press the on/off button.

### 6.2 Working with the tool

The PRA 30 / 31 laser receiver can be used at distances (radiuses) of up to 200 m (650 ft). The laser beam is indicated visually and by an audible signal.

#### 6.2.1 Using the laser receiver as a hand-held tool

1. Press the on/off button.
2. Hold the PRA 30 / 31 directly in the plane of the rotating laser beam.  
The laser beam is indicated by visual and audible signals.

#### 6.2.2 Working with the laser receiver in the PRA 80 receiver holder

1. Open the catch on the PRA 80.
2. Insert the PRA 30 / 31 laser receiver in the PRA 80 laser receiver holder.
3. Close the catch on the PRA 80.
4. Switch the laser receiver on by pressing the on / off button.
5. Rotate the grip to bring it into the open position.
6. Secure the PRA 80 receiver holder on the telescopic staff or leveling staff by turning the rotating grip.
7. Hold the PRA 30 / 31 with the receiving window directly in the plane of the rotating laser beam.  
The laser beam is indicated by visual and audible signals.

### 6.2.3 Working with the PRA 81

1. Open the locking mechanism on the PRA 81.
2. Insert the PRA 30 / 31 laser receiver in the PRA 81 height transfer device.
3. Close the locking mechanism on the PRA 81.
4. Switch the laser receiver on by pressing the on / off button.
5. Hold the PRA 30 / 31 with the receiving window directly in the plane of the rotating laser beam.  
The laser beam is indicated by visual and audible signals.
6. Use the measuring tape to measure the desired offset distance.

### 6.2.4 Menu options

When switching the PRA 30 / 31 on, press and hold the on / off button for two seconds.  
The menu is then shown in the display.

Use the “units” button to switch between metric and imperial units.

Use the “volume” button to assign the higher-pitched signal to the upper or lower area of the receiving window. To save the settings, switch the PRA 30 / PRA 31 off.

### 6.2.5 Setting the measuring unit

The “units” button can be used to set the desired measuring unit according to the country of use (mm / cm / off) or ( $\frac{1}{8}$ in /  $\frac{1}{4}$ in / off).

### 6.2.6 Setting the volume of the audible signal

The tool is set to “normal” volume when switched on. The volume can be adjusted from “normal” to “loud” by pressing the audible signal button. Press the button again to switch the signal off and press it once more to set the signal to “quiet”.

## 7 Care and maintenance

### 7.1 Cleaning and drying

1. Blow dust off the surfaces.
2. Do not touch the display areas or the receiving window with the fingers.
3. Use only a clean, soft cloth for cleaning. If necessary, moisten the cloth slightly with pure alcohol or a little water.

**NOTE** Do not use any other liquids as these may damage the plastic components.

4. Observe the temperature limits when storing your equipment. This is particularly important in winter / summer if the equipment is kept inside a motor vehicle (25°C to +60°C / -22°F to +140°F).

### 7.2 Storage

Remove the tool from its case if it has become wet. The tool, its carrying case and accessories should be cleaned and dried (at maximum 40°C / 104°F). Repack

the equipment only once it has dried completely and then store it in a dry place.

Check the accuracy of the equipment before it is used after a long period of storage or transportation.

Remove the batteries from the tool before storing it for a long period. Leaking batteries may damage the tool.

### 7.3 Transport

Use the Hilti toolbox or packaging of equivalent quality for transporting or shipping your equipment.

#### **DANGER**

**Always remove the batteries before transporting the tool.**

### 7.4 Hilti calibration service

We recommend that the tool is checked by the Hilti calibration service at regular intervals in order to verify its reliability in accordance with standards and legal requirements.

## 8 Disposal

### **DANGER**

Improper disposal of the equipment may have serious consequences:

The burning of plastic components generates toxic fumes which may present a health hazard.

Batteries may explode if damaged or exposed to very high temperatures, causing poisoning, burns, acid burns or environmental pollution.

Careless disposal may permit unauthorized and improper use of the equipment. This may result in serious personal injury, injury to third parties and pollution of the environment.



Most of the materials from which Hilti tools or appliances are manufactured can be recycled. The materials must be correctly separated before they can be recycled. In many countries, Hilti has already made arrangements for taking back old tools and appliances for recycling. Ask Hilti customer service or your Hilti representative for further information.



For EC countries only

Do not dispose of electrical appliances together with household waste.

In observance of the European Directive on waste electrical and electronic equipment and its implementation in accordance with national law, electrical appliances that have reached the end of their life must be collected separately and returned to an environmentally compatible recycling facility.



Dispose of the batteries in accordance with national regulations. Please help us to protect the environment.



## 9 Manufacturer's warranty - tools

Hilti warrants that the tool supplied is free of defects in material and workmanship. This warranty is valid so long as the tool is operated and handled correctly, cleaned and serviced properly and in accordance with the Hilti Operating Instructions, and the technical system is maintained. This means that only original Hilti consumables, components and spare parts may be used in the tool.

This warranty provides the free-of-charge repair or replacement of defective parts only over the entire lifespan of the tool. Parts requiring repair or replacement as a result of normal wear and tear are not covered by this warranty.

**Additional claims are excluded, unless stringent national rules prohibit such exclusion. In particular, Hilti is not obligated for direct, indirect, incidental or consequential damages, losses or expenses in connection with, or by reason of, the use of, or inability to use the tool for any purpose. Implied warranties of merchantability or fitness for a particular purpose are specifically excluded.**

For repair or replacement, send the tool or related parts immediately upon discovery of the defect to the address of the local Hilti marketing organization provided.

This constitutes Hilti's entire obligation with regard to warranty and supersedes all prior or contemporaneous comments and oral or written agreements concerning warranties.

en

## 10 FCC statement (applicable in USA)

### CAUTION

This equipment has been tested and found to comply with the limits for a class B digital device, pursuant to part 15 of the FCC rules. These limits are designed to provide reasonable protection against harmful interference in a residential installation. This equipment generates, uses, and can radiate radiofrequency energy and, if not installed and used in accordance with the instructions, may cause harmful interference to radio communications.

However, there is no guarantee that interference will not occur in a particular installation. If this equipment does cause harmful interference to radio or television reception, which can be determined by turning the equipment

on and off, the user is encouraged to try to correct the interference by one or more of the following measures:

Re-orient or relocate the receiving antenna.

Increase the distance between the equipment and receiver.

Consult the dealer or an experienced TV/radio technician for assistance.

### NOTE

Changes or modifications not expressly approved by the party responsible for compliance could void the user's authority to operate the equipment.

## 11 EC declaration of conformity (original)

Designation:	Remote control / laser receiver
Type:	PRA 30 / PRA 31
Generation:	01
Year of design:	2008/2009

### Technical documentation filed at:

Hilti Entwicklungsgesellschaft mbH  
Zulassung Elektrowerkzeuge  
Hiltistrasse 6  
86916 Kaufering  
Deutschland

en

We declare, on our sole responsibility, that this product complies with the following directives and standards: 2011/65/EU, 2006/95/EC, 2004/108/EC.

**Hilti Corporation, Feldkircherstrasse 100,  
FL-9494 Schaan**



**Paolo Luccini**  
Head of BA Quality and Process Management  
Business Area Electric Tools & Accessories  
01/2012



**Matthias Gillner**  
Executive Vice President  
Business Area Electric Tools & Accessories  
01/2012



Hilti Corporation

LI-9494 Schaan

Tel.: +423 / 234 21 11

Fax: +423 / 234 29 65

[www.hilti.com](http://www.hilti.com)

Hilti = registered trademark of Hilti Corp., Schaan

W 3603 | 0313 | 00-Pos. 1 | 1

Printed in Germany © 2013

Right of technical and programme changes reserved S. E. & O.

368229 / A2



368229